



STATE OF DELAWARE
DEPARTMENT OF TRANSPORTATION
800 BAY ROAD
P.O. BOX 778
DOVER, DELAWARE 19903

JENNIFER COHAN
SECRETARY

VIA WEBSITE POSTING AND OVERNIGHT DELIVERY

October 29, 2019

Contract No. T201507402.01
Federal Aid Project No. BHN-N347(03)
BR 1-714 on N347 Chapman Road over I-95
New Castle County

Ladies and Gentlemen:

Enclosed is Addendum No. 3 for the referenced contract consisting of the following:

1. The Bid Proposal Cover, revised, to be substituted for the same page of the Proposal.
2. One (1) page, Bid Proposal Form, page 6, revised, to be substituted for same page in the Proposal.
- Items 610008 and 610018 have revised quantities.
3. Three (3) sheets, Construction Plans, sheets 3, 26 and 66, revised, to be substituted for the same sheets in the Plans.
4. Amendment File No. 3.

Please note the revisions listed above and submit your bid based upon this information.

Sincerely,
~signature on file~
Connie Ivins
Competitively Bid Contracts Coordinator
Delaware Department of Transportation

STATE OF DELAWARE



DEPARTMENT OF TRANSPORTATION

BID PROPOSAL

for

CONTRACT T201507402.01

FEDERAL AID PROJECT NO. BHN-N347(03)

CFDA NO. 20.205

BR 1-714 ON N347 CHAPMAN ROAD OVER I-95

NEW CASTLE COUNTY

ADVERTISEMENT DATE: September 23, 2019

COMPLETION TIME: 565 Calendar Days

SPECIFICATIONS FOR ROAD AND BRIDGE CONSTRUCTION
DELAWARE DEPARTMENT OF TRANSPORTATION
AUGUST 2016

Bids will be received in the Bidder's Room at the Delaware Department of Transportation's Administration Building, 800 Bay Road, Dover, Delaware prior to 2:00 P.M. local time ~~October 22~~ **November 5, 2019**

DELAWARE DEPARTMENT OF TRANSPORTATION
SCHEDULE OF ITEMS

PAGE:
DATE:

6

CONTRACT ID: T201507402.01

PROJECT(S): BHN-N347(03)

All figures must be typewritten.

CONTRACTOR : _____

LINE NO	ITEM DESCRIPTION	APPROX. QUANTITY AND UNITS	UNIT PRICE		BID AMOUNT	
			DOLLARS	CTS	DOLLARS	CTS
0500	607001 MECHANICALLY STABILIZED EARTH WALLS	LUMP	LUMP			
0510	610002 PORTLAND CEMENT CONCRETE MASONRY, ABUTMENT ABOVE FOOTING, CLASS A	CY 180.000				
0520	610008 PORTLAND CEMENT CONCRETE MASONRY, PARAPET, CLASS A	CY 370.000				
0530	610017 PORTLAND CEMENT CONCRETE MASONRY, SUPERSTRUCTURE, CLASS D	CY 680.000				
0540	610018 PORTLAND CEMENT CONCRETE MASONRY, APPROACH SLAB, CLASS D	CY 570.000				
0550	611001 BAR REINFORCEMENT, EPOXY COATED	LB 402970.000				
0560	613001 SILICONE-BASED ACRYLIC CONCRETE SEALER	SF 10800.000				
0570	613003 HIGH MOLECULAR WEIGHT METHACRYLATE CONCRETE SEALER	SF 23860.000				
0580	615001 STEEL STRUCTURES	LUMP	LUMP			


10/9/2019 3:49:40 PM PK\60323054 DeIDOT AGR 1672 BDS\T06 - Rehab Br. 1-714\900 WORK\910 CAD\20-SHEETS\100_Construction Plans\A001.dgn

ADDENDUM PREPARED BY
AECOM TECHNICAL SERVICES, INC.

Angela D. Melvin 10/09/19

THIS SEAL APPLIES TO THE FOLLOWING SHEETS CHANGED UNDER ADDENDUM *1: 26, 66, 103

DATE DATE SEAL

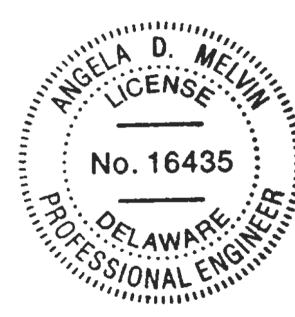


ADDENDUM PREPARED BY
AECOM TECHNICAL SERVICES, INC.

Angela D. Melvin 10/16/19

THIS SEAL APPLIES TO THE FOLLOWING SHEETS CHANGE UNDER ADDENDUM *2: SHEETS 25, 41, 65.

DATE DATE SEAL




ADDENDUM PREPARED BY
AECOM TECHNICAL SERVICES, INC.

Angela D. Melvin 10-23-19

THIS SEAL APPLIES TO THE FOLLOWING SHEETS CHANGE UNDER ADDENDUM *3: SHEETS 26, 66.

DATE DATE SEAL



ADDENDA / REVISIONS		NOT TO SCALE	BR 1-714 ON CHAPMAN ROAD OVER I-95	CONTRACT	BRIDGE NO.	ADDENDA AND REVISIONS	SECTION
				T201507402	1-714 /1-714A		AEC
				COUNTY	DESIGNED BY: T. SINGLE		SHEET NO.
				NEW CASTLE	CHECKED BY: D. SEMPLE		3

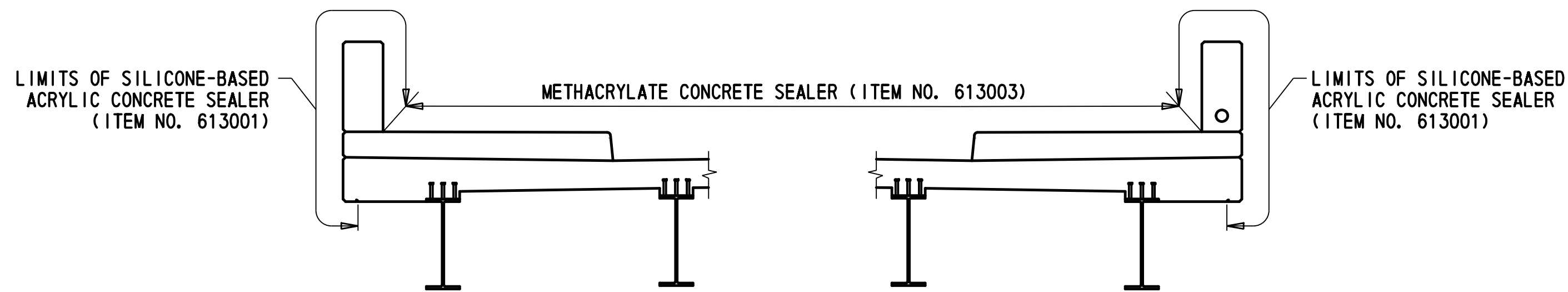
ESTIMATED BRIDGE QUANTITIES

ITEM NO.	DESCRIPTION	UNIT	TOTAL
202560	CONTAMINATED MATERIAL *	NONE	—
211550	DEMOLITION OF EXISTING BRIDGE *	LS	1
604000	JACKING BRIDGE	LS	1
604XXX	TEMPORARY PROTECTIVE SHIELD *	LS	1
604003	SHORING	LS	1
605201	DYNAMIC PILE TESTING BY CONTRACTOR	EA	4
605505	FURNISH STEEL PIPE PILES, 20" *	LF	3,120
605506	INSTALL STEEL PIPE PILES, 20" *	LF	3,120
605507	FURNISH STEEL INDICATOR OR TEST PILES, 20" *	LF	400 240
605508	INSTALL STEEL PIPE INDICATOR OR TEST PILES, 20" *	LF	400 240
607001	MECHANICALLY STABILIZED EARTH WALLS	LS	1
610002	PORTLAND CEMENT CONCRETE MASONRY, ABUTMENT ABOVE FOOTING, CLASS A	CY	100
610008	PORTLAND CEMENT CONCRETE MASONRY, PARAPET, CLASS A	CY	240 200
610017	PORTLAND CEMENT CONCRETE MASONRY, SUPERSTRUCTURE, CLASS D	CY	370
610018	PORTLAND CEMENT CONCRETE MASONRY, APPROACH SLAB, CLASS D	CY	310 320
611001	BAR REINFORCEMENT, EPOXY COATED	LB	211,650
613001	SILICONE-BASED ACRYLIC CONCRETE SEALER	SF	6,230
613003	HIGH MOLECULAR WEIGHT METHACRYLATE CONCRETE SEALER	SF	12,970
615001	STEEL STRUCTURES	LS	1
623000	ELASTOMERIC BEARINGS	EACH	14
624000	PREFABRICATED EXPANSION JOINT SYSTEM, 3"	LF	180
626011	ALUMINUM RAILING, TYPE 1	LF	630
727008	BRIDGE SAFETY FENCE, TYPE 2	LF	480

* SPECIAL PROVISION INCLUDED IN CONTRACT FOR THIS ITEM

BRIDGE LOAD RATING TABLE

VEHICLE TYPE	RATING FACTOR	RATING WEIGHT (TONS)	CONTROLLING MEMBER	CONTROLLING POINT	LOAD EFFECT
HL-93 TRUCK (INVENTORY)	1.47	N/A	EXTERIOR BEAM	105	STRENGTH I
HL-93 TANDEM (INVENTORY)	1.74	N/A	EXTERIOR BEAM	105	STRENGTH I
HS20 (INVENTORY)	2.41	86.76	EXTERIOR BEAM	105	STRENGTH I
HL-93 TRUCK (OPERATING)	1.91	N/A	EXTERIOR BEAM	105	STRENGTH I
HL-93 TANDEM (OPERATING)	2.26	N/A	EXTERIOR BEAM	105	STRENGTH I
HS20 (OPERATING)	3.12	112.32	EXTERIOR BEAM	105	STRENGTH I
DE S220	3.17	63.40	EXTERIOR BEAM	105	SERVICE II
DE S335	2.02	70.70	EXTERIOR BEAM	105	SERVICE II
DE S437	1.94	71.78	EXTERIOR BEAM	105	SERVICE II
DE T330	2.44	73.20	EXTERIOR BEAM	105	SERVICE II
DE T435	2.17	75.95	EXTERIOR BEAM	105	SERVICE II
DE T540	1.95	78.00	EXTERIOR BEAM	105	SERVICE II
EV2	2.4	69.00	EXTERIOR BEAM	105	SERVICE II
EV3	1.72	73.96	EXTERIOR BEAM	105	SERVICE II
SU4	2.49	67.23	EXTERIOR BEAM	105	SERVICE II
SU5	2.25	69.75	EXTERIOR BEAM	105	SERVICE II
SU6	2.06	71.59	EXTERIOR BEAM	105	SERVICE II
SU7	1.89	73.24	EXTERIOR BEAM	105	SERVICE II



COATING LIMITS

PLAN LIMITS TO INCLUDE BRIDGE, APPROACH SLABS, SLEEPER SLABS & MOMENT SLABS
NOT TO SCALE

ABBREVIATIONS

T	=	TOP
B	=	BOTTOM
C/L	=	CENTER LINE
B/L	=	BASE LINE
BRG	=	BEARING
TYP.	=	TYPICAL
CLR.	=	CLEAR
CVN	=	CHARPY V-NOTCH
MSE	=	MECHANICALLY STABILIZED EARTH
EF	=	EACH FACE
FF	=	FRONT FACE
RF	=	REAR FACE
ELEV.	=	ELEVATION
TLP	=	TOP OF LEVELING PAD
RDWY	=	ROADWAY
R/W	=	RIGHT OF WAY
EXP.	=	EXPANSION
RCP	=	REINFORCED CONCRETE PIPE
WP	=	WORK POINT

ADDENDA / REVISIONS

TEST PILE QUANTITY REVISION	J. EBERLE 10/07/2019
PCC MASONRY QUANTITY REVISION	J. EBERLE 10/22/2019

NOT TO SCALE

**BR 1-714 ON
CHAPMAN ROAD OVER I-95 SB**

CONTRACT	BRIDGE NO.	1-714
T201507402	DESIGNED BY:	R.GANOVSKA
COUNTY	CHECKED BY:	R.DOMINICK/S.MUKHERJEE
NEW CASTLE		

**QUANTITIES AND
LOAD RATINGS**

BR 1-714
BD-02

SECTION	AEC
SHEET NO.	26

10/23/2019
PA 80323054
Rehab Br. 1-714-900 WORK\910 CAD\20-SHEETS\Structures\Final Design\NB\BR1-714-NB-QN02.dgn

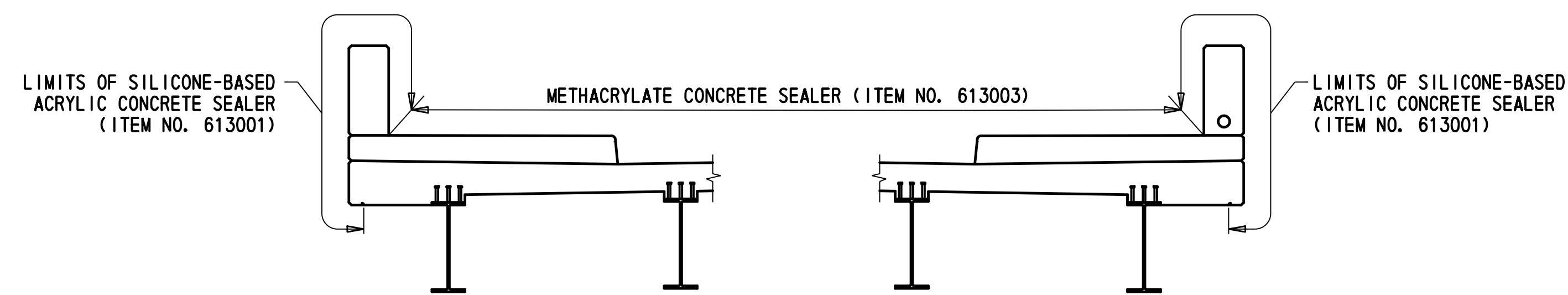
BRIDGE LOAD RATING TABLE

VEHICLE TYPE	RATING FACTOR	RATING WEIGHT (TONS)	CONTROLLING MEMBER	CONTROLLING POINT	LOAD EFFECT
HL-93 TRUCK (INVENTORY)	1.32	N/A	EXTERIOR BEAM	105	SERVICE II
HL-93 TANDEM (INVENTORY)	1.56	N/A	EXTERIOR BEAM	105	SERVICE II
HS20 (INVENTORY)	2.04	73.44	EXTERIOR BEAM	105	SERVICE II
HL-93 TRUCK (OPERATING)	1.71	N/A	EXTERIOR BEAM	105	SERVICE II
HL-93 TANDEM (OPERATING)	2.03	N/A	EXTERIOR BEAM	105	SERVICE II
HS20 (OPERATING)	2.65	95.40	EXTERIOR BEAM	105	SERVICE II
DE S220	2.75	55.00	EXTERIOR BEAM	105	SERVICE II
DE S335	1.72	60.20	EXTERIOR BEAM	105	SERVICE II
DE S437	1.65	61.05	EXTERIOR BEAM	105	SERVICE II
DE T330	2.12	63.60	EXTERIOR BEAM	105	SERVICE II
DE T435	1.88	65.80	EXTERIOR BEAM	105	SERVICE II
DE T540	1.69	67.60	EXTERIOR BEAM	105	SERVICE II
EV 2	2.06	59.23	EXTERIOR BEAM	105	SERVICE II
EV 3	1.46	62.78	EXTERIOR BEAM	105	SERVICE II
SU 4	2.14	57.78	EXTERIOR BEAM	105	SERVICE II
SU 5	1.93	59.83	EXTERIOR BEAM	105	SERVICE II
SU 6	1.76	61.16	EXTERIOR BEAM	105	SERVICE II
SU 7	1.61	62.39	EXTERIOR BEAM	105	SERVICE II

ESTIMATED BRIDGE QUANTITIES

ITEM NO.	DESCRIPTION	UNIT	TOTAL
604000	JACKING BRIDGE	LS	1
604XXX	TEMPORARY PROTECTIVE SHIELD *	LS	1
604003	SHORING	LS	1
605201	DYNAMIC PILE TESTING BY CONTRACTOR	EA	4
605505	FURNISH STEEL PIPE PILES, 20" *	LF	2,160
605506	INSTALL STEEL PIPE PILES, 20" *	LF	2,160
605507	FURNISH STEEL INDICATOR OR TEST PILES, 20" *	LF	400 240
605508	INSTALL STEEL PIPE INDICATOR OR TEST PILES, 20" *	LF	400 240
607001	MECHANICALLY STABILIZED EARTH WALLS	LS	1
610002	PORTLAND CEMENT CONCRETE MASONRY, ABUTMENT ABOVE FOOTING, CLASS A	CY	80
610008	PORTLAND CEMENT CONCRETE MASONRY, PARAPET, CLASS A	CY	180 170
610017	PORTLAND CEMENT CONCRETE MASONRY, SUPERSTRUCTURE, CLASS D	CY	310
610018	PORTLAND CEMENT CONCRETE MASONRY, APPROACH SLAB, CLASS D	CY	240 250
611001	BAR REINFORCEMENT, EPOXY COATED	LB	191,320
613001	SILICONE-BASED ACRYLIC CONCRETE SEALER	SF	4,570
613003	HIGH MOLECULAR WEIGHT METHACRYLATE CONCRETE SEALER	SF	10,890
615001	STEEL STRUCTURES	LS	1
623000	ELASTOMERIC BEARINGS	EACH	14
624000	PREFABRICATED EXPANSION JOINT SYSTEM, 3"	LF	150
626011	ALUMINUM RAILING, TYPE 1	LF	470
727008	BRIDGE SAFETY FENCE, TYPE 2	LF	420

* SPECIAL PROVISION INCLUDED IN CONTRACT FOR THIS ITEM



COATING LIMITS

PLAN LIMITS TO INCLUDE BRIDGE, APPROACH SLABS, SLEEPER SLABS & MOMENT SLABS
NOT TO SCALE

ABBREVIATIONS

- T = TOP
- B = BOTTOM
- C/L = CENTER LINE
- B/L = BASE LINE
- BRG = BEARING
- TYP. = TYPICAL
- CLR. = CLEAR
- CVN = CHARPY V-NOTCH
- MSE = MECHANICALLY STABILIZED EARTH
- EF = EACH FACE
- FF = FRONT FACE
- RF = REAR FACE
- ELEV. = ELEVATION
- TLP = TOP OF LEVELING PAD
- RDWY = ROADWAY
- R/W = RIGHT OF WAY
- EXP. = EXPANSION
- RCP = REINFORCED CONCRETE PIPE
- WP = WORK POINT

BR 1-714A
BD-02

ADDENDA / REVISIONS

TEST PILE QUANTITY REVISION	J. EBERLE 10/07/2019
PCC MASONRY QUANTITY REVISION	J. EBERLE 10/22/2019

NOT TO SCALE

BR 1-714A ON
CHAPMAN ROAD OVER I-95 NB

CONTRACT	BRIDGE NO.	1-714A
T201507402	DESIGNED BY:	R. GANOVSKA
COUNTY	CHECKED BY:	S.MUKHERJEE/R.DOMINICK
NEW CASTLE		

QUANTITIES AND
LOAD RATINGS

SECTION	AEC
SHEET NO.	66